

MONSTER
FLATSCREEN™
MOUNTS • SUPPORTS • BASES

USER GUIDE & WARRANTY
GUIDE ET GARANTIE D'UTILISATEUR
GUÍA DEL USUARIO Y GARANTÍA

SmartView™ 300M
FlatScreen Mount

Support d'écran plat
SmartView™ 300M

Base SmartView™ 300M
FlatScreen para
televisores planos

A NOTE FROM THE HEAD MONSTER

Dear Enthusiast,

THANK YOU for purchasing the Monster® SmartView™ 300M FlatScreen Mount. The SmartView 300M reflects our passion for creating the industry's most innovative and practical AV solutions, so enthusiasts like yourself always experience the absolute best from their high performance AV components. The SmartView 300M is the only flat-wall mount on the market that allows instant height and tilt adjustments without tools or disassembly, so it's always easy to get the best view.



A handwritten signature in black ink, appearing to read 'Noel Lee'.

Noel Lee,
The Head Monster

More Great Products from Monster FlatScreen™

The Look You Want. The Performance You Need.



Monster FlatScreen Cables™

Ultra slim and flexible, Monster FlatScreen Cables ensure a clean, no-clutter hookup to your thin display. Plus, they feature advanced Monster Cable technologies, so you always get the best possible picture and sound.

Monster FlatScreen PowerProtect™ and PowerCenters™

Safeguard your flatscreen investment from harmful electrical surges and “dirty” AC power with exclusive Monster Power® technologies, including Monster SurgeGuard™ and Monster Clean Power.™



Monster FlatScreen Clean™

Our safe LCD and plasma cleaning solution instantly removes dust, dirt and fingerprints from your flatscreen without drips, stains or scratches.

For more details on all our Monster FlatScreen products, visit us at MonsterCable.com/FlatScreen

MONSTER FLATSCREEN MOUNTS

SmartView™ 300M FlatScreen Mount

SmartView 300M is designed to mount **24"-to-37"** LCD and plasma televisions to vertical walls. Maximum weight capacity is **100 lbs.**

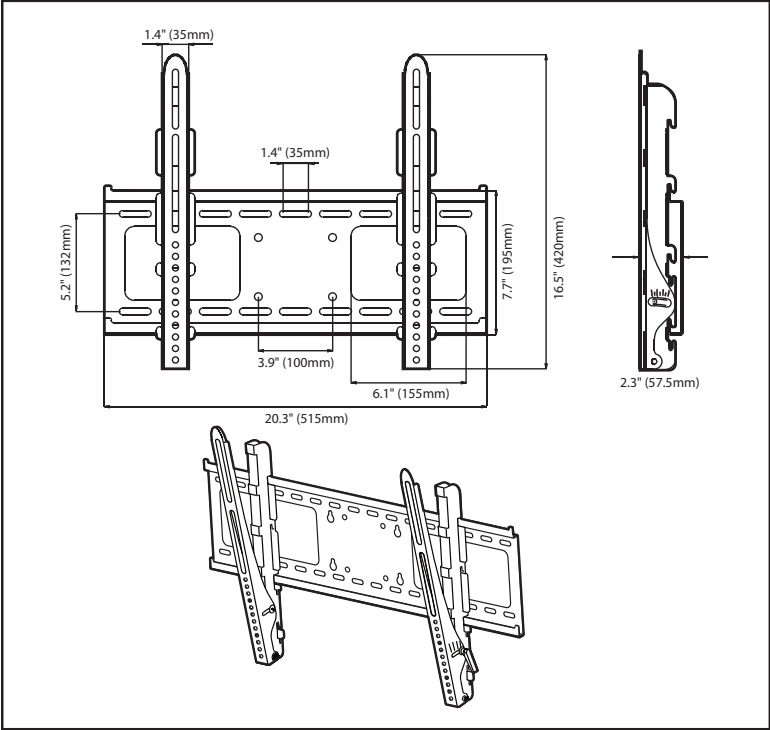
SAFETY WARNING: If you don't understand these directions, or have doubts about this product's installation, please call a qualified contractor or contact Monster Cable Products, Inc. at **1-877-800-8989**.

Before installing, carefully review the instructions to ensure that no parts are missing or defective. Improper installation can cause damage or serious injury. Do not use this product for any purpose not explicitly specified by Monster. Monster is not liable for damage or injury caused by incorrect assembly, incorrect mounting or incorrect use.

All hardware is supplied for the following wall conditions: Wood stud, brick, solid concrete, and concrete block.

Note: The supplied hardware **is not for walls with steel studs**. If you are uncertain about the nature of your wall construction, consult an installation contractor.

Specifications and Notes:



Monster is constantly striving to improve its products.
Specifications are subject to change without notice.

Required Tools

Wall Stud Mounting:

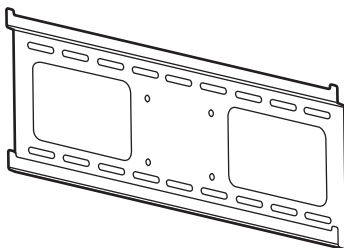
- Electronic stud sensor
- Level
- Electric hand drill
- 3/16" drill bit
- Phillips screwdriver
- Combination wrenches or socket set

Masonry Mounting (brick, concrete, concrete blocks):

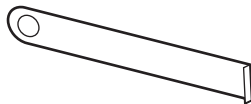
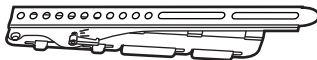
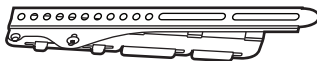
- Above tools
- Replace 3/16" drill bit with 1/2" masonry drill bit

Package Contents

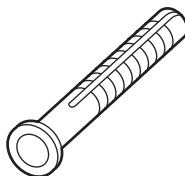
1 Wall Plate



2 Tilting Vertical
Adjustment Bars

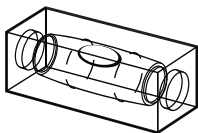


1 L-Shaped Locking Bar

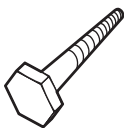


4 Concrete Anchors

If any parts are missing, please call 800-877-8989.



1 Bubble Level



4 Lag Bolts



4 Square Washers



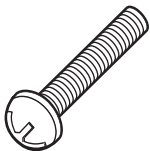
4 Spacer #1



4 Spacer #2



4 Round Washers



Screws

4 ea. M4x15/M4x35/M4x45








4 ea. M5x15/M5x35/M5x45

4 ea. M6x15/M6x35/M6x45




4 ea. M8x15/M8x35/M8x45

Cautions and Warnings

Forbidden Actions:

-  Do not install on a sloping surface. Install exclusively on a vertical surface.
-  Do not install in a room with excessively high temperatures or high humidity.
-  Do not install near an air conditioner.
-  Do not install in a location with excessive dust, smoke or moisture. These sources can create a fire.
-  Do not apply unnecessary stress or load on the installed unit.
-  Do not install unit alone. Safe installation requires at least two people.
-  Do not route your flatscreen TV's power cord in wall. Check local building/electrical codes for more information.

Cautions:

-  To prevent eye fatigue, do not install where there is direct sunlight or excessive light.
-  When carrying out maintenance, disconnect the TV's power supply to avoid electrical shock.
-  If planning to route AV cable in wall, only use cable UL-certified for this use.


Pre-Installation Checklist

- Is the view of your mounting location free of glare and other obstructions?
- If mounting to two wall studs, is your mounting location's stud separation less than 19"?
- Is there an AC power outlet within range of your mounting location, preferably behind the placement of your display?
- Is your mounting location at least 3 ft. from any source of heat or water?


TIP To hide your TV's power cord, install a Monster® In-Wall PowerCenter™ behind the placement of your display.

Installing the Wall Plate

Remove all pieces of the wall mounting system to ensure you have all the necessary parts.

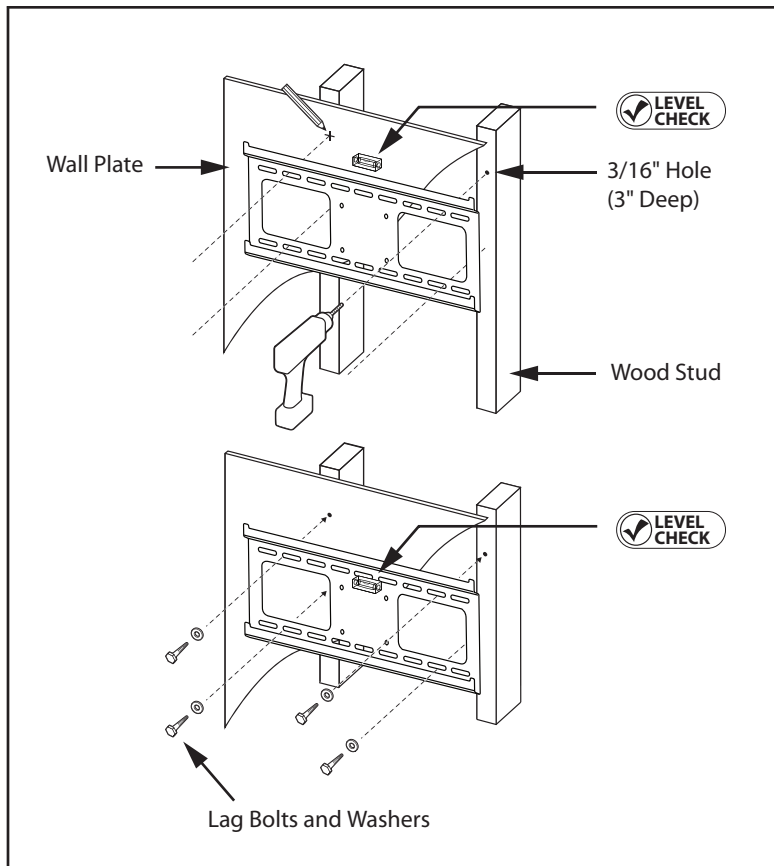
 **Be sure to choose a mounting location with easy access to an AC power outlet.**

Wood Stud Mounting:

- 1) Using an electronic stud sensor, locate two adjacent wall studs at least 12" apart.
- 2) With the help of a friend, align the wall plate's top and bottom horizontal mounting slots over the center of each wall stud.
- 3)  Level the wall plate with the bubble level. Hold the plate firmly in place.
- 4) Mark the stud center in each of the four slots (bottom left, top left, bottom right, top right).
- 5) With your electrical drill and 3/16" bit, pre-drill a 3" deep hole at each mark.
- 6) Attach the wall plate to the wall using the lag bolts and round washers as shown to the right. Tighten each bolt with your electric drill or socket wrench. Turn clockwise until secure.

 **DO NOT over tighten bolts. This can damage the wall plate or the surface of your wall.**

 **DO NOT release the wall plate until you are absolutely certain it is secured to the wall.**




Installing the Wall Plate *continued*

Masonry Mounting

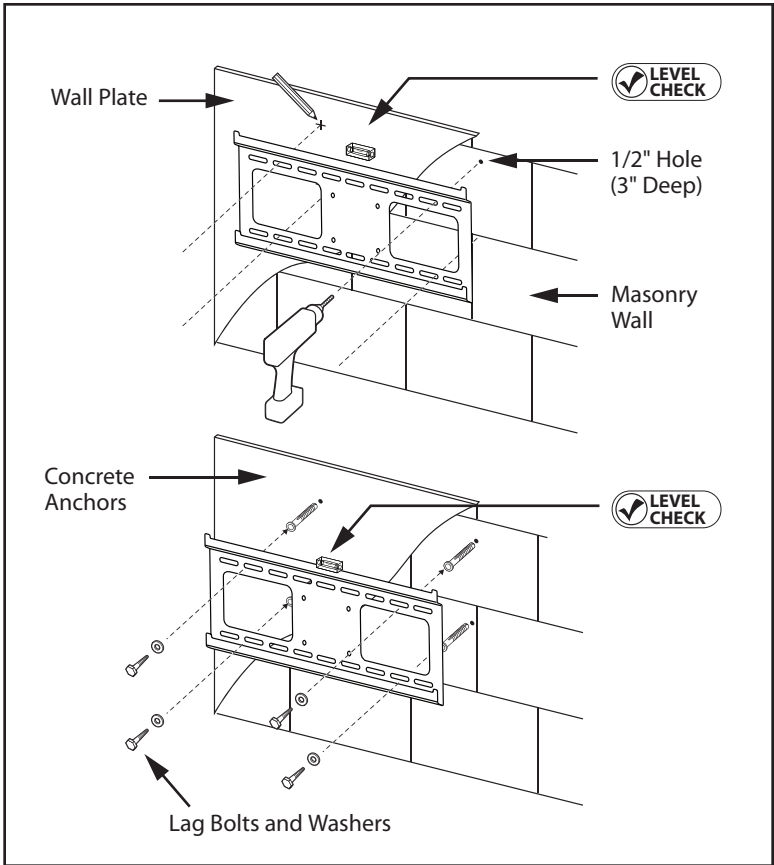
While masonry materials (bolts and concrete anchors) are included, masonry mounting requires specialized knowledge, skills and tools. Monster highly recommends you seek the assistance of a professional installer when mounting to masonry.

 **DO NOT drill holes in masonry mortar joints.**

- 1)  With the help of a friend, position the wall plate in your desired mounting location. Level the wall plate with the provided bubble level. Mark the centers of four bolt slots as shown to the right. Be careful not to mark a mortar joint.
- 2) With your electrical drill and 1/2" masonry bit, pre-drill a 3" deep hole at each mark.
- 3) Install the supplied plastic concrete anchors in each hole. Tap into hole until fully seated.
- 4) Attach the wall plate to the wall using the lag bolts and round washers as shown to the right. Make sure flat center of the plate is facing the wall.

 **DO NOT over tighten bolts. This can damage the wall plate or your wall surface.**

 **DO NOT release the wall plate until you are absolutely certain it is secured to the wall.**



Attaching the Tilting Vertical Adjustment Bars to the TV

⚠ DO NOT lay your TV face down when attaching the Tilting Vertical Adjustment Bars. This can cause permanent damage to your screen. Lean it against a wall or other solid surface so it remains vertically upright.

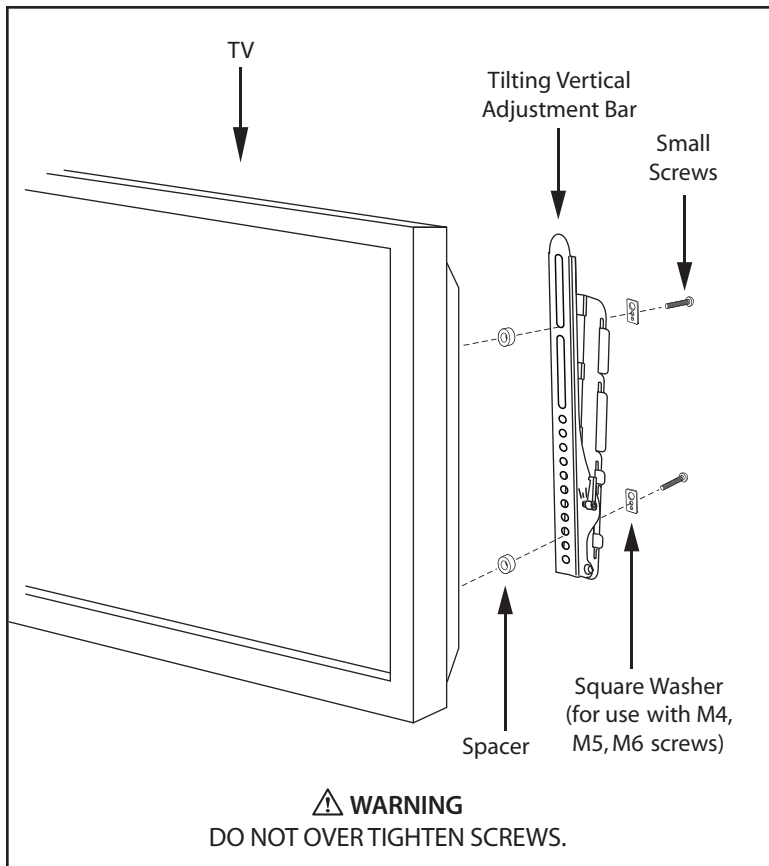
⚠ Your TV should be unplugged before threading any bolt or screw into the back panel.

Your mounting system features 12 sets of screws of varying diameter and length. Before attaching the adjustment bars to your display, determine which screw set is correct for your display.

TVs with flat backs use a shorter screw without a spacer. TVs with curved backs or recessed inserts may require a longer screw with a spacer between the TV and adjustment bars. Smaller M4, M5 or M6 screws require a square washer (supplied) between the adjustment bar and each screw.


- 1) Locate the threaded inserts on your TV's back panel. Thread a screw from the set into one of the inserts to ensure it is the correct choice.
- 2) Thread screws through the adjustment bars into the TV inserts with the appropriate spacer and washer set, if needed. Make sure to install each adjustment bar so its *Pull 'n' Twist™* handle faces the outer edge of the TV.
- 3) With a Phillips screwdriver, tighten the screws so the adjustment bars are firmly attached to the TV.


⚠ DO NOT over tighten screws. Thread screws carefully by hand before tightening. If you feel any resistance, remove the screw immediately.



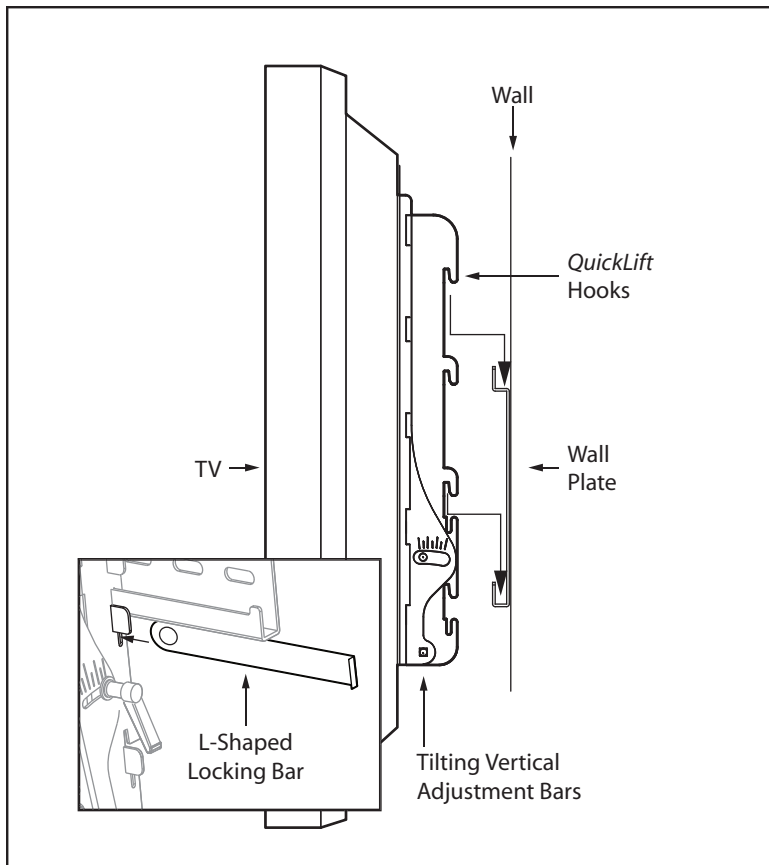
Hanging the TV and Tilting Vertical Adjustment Bars on the Wall Plate

 **Make sure the tilt mechanisms are locked before you mount the TV. For full instructions, refer to page 16.**

 **Monster strongly recommends that a minimum of two people perform the following steps.**

 **DO NOT release the TV until you are certain it is properly mounted and secured to the wall plate.**

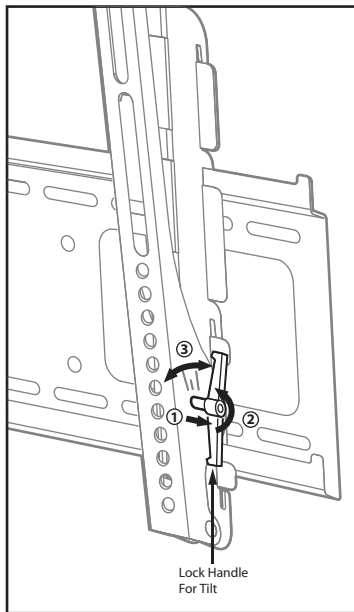
- 1) Connect the TV's power cord and any AV cable to the TV before hanging it. With the help of a friend, lift the TV and plug its power cord into a nearby AC outlet. If routing AV cable in wall, route the cable through the wall plate's Pass-Thru slots into the prepared opening in your wall.
- 2) Locate the two sets of *QuickLift*™ hooks on the back of the Tilting Vertical Adjustment Bars, now attached to your TV.
- 3) Hang either the upper or lower pair of *QuickLift* hooks on the wall plate's top and bottom horizontal channels. (See diagram on opposite page.)
- 4) The higher display position requires an additional 3" of audio/video cable and power cord length.
- 5) Secure the display with the L-Shaped Locking Bar. Slide it horizontally through the slot below either bottom hook.
- 6) The locking bars should always be used to reduce the risk of seismic damage. A padlock can be added for additional theft deterrence.



Adjusting Your TV's Tilt and Height

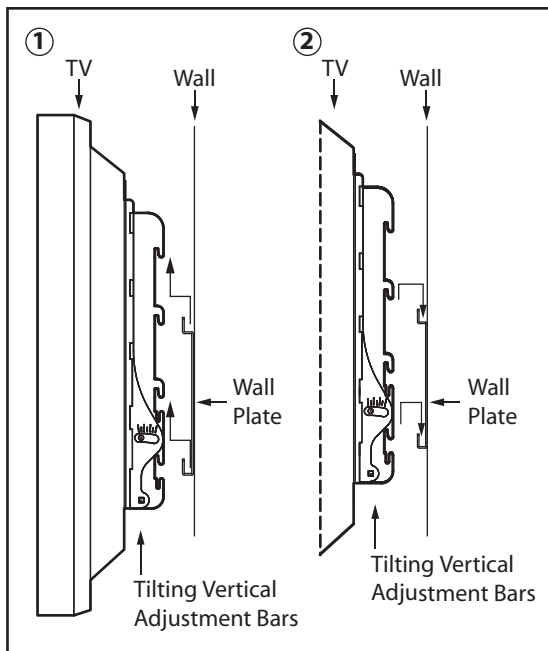
Tilting Your TV:

- 1) With a person on each side of the TV, turn the *Pull 'n' Twist™* handles downward as far as you can. This loosens the tilting adjustment bars and initiates tilt.
- 2) To further loosen the adjustment bars and increase ease of tilt, pull outward on the round portion of the handle. This initiates its ratchet mechanism.
- 3) In ratchet mode, turn the handle upward to its highest point.
- 4) Release the handle to disengage ratchet mode. When handle clicks into place, it's ready to be turned downward again. Repeat Step 1.
- 5) To prevent stress on TV, ensure both bars are tilted at the same angle.
- 6) To lock the bars into place at the desired angle, do the reverse of the steps above. Turn the handles upward and ratchet as needed until the bars are secure.



Raising/Lowering Your TV:

- 1) With a partner, lift the TV and disengage the *QuickLift™* hooks from the wall plate.
- 2) Re-engage the lower or upper set of *QuickLift* hooks to the wall plate's top and bottom horizontal channels.



Congratulations

You've successfully installed your SmartView 300M FlatScreen Mount.

Visit www.MonsterCable.com/FlatScreen for more innovative Monster FlatScreen products, including our ultra low-profile FlatScreen Cable and our safe, FlatScreen Clean LCD and plasma cleaning solution for preserving your flatscreen display.

LIVE FOREVER LIMITED WARRANTY FOR CONSUMERS

Monster, LLC, 7251 West Lake Mead Blvd., Las Vegas, NV 89128, ("Monster") extends You this Limited Warranty. Statutory or common law may provide You with additional rights or remedies, which shall not be affected by this Limited Warranty.

DEFINITIONS

"Adequate Use" means use of the Product (i) within a home or dwelling, (ii) for private (as opposed to commercial) purposes, (iii) in conformance with all applicable local, state or federal law, code or regulations (including without limitation building and/or electrical codes), (iv) in accordance with manufacturer recommendations and/or instructions in the materials and documentation that accompany the Product, and (v) with proper electrical grounding.

"Authorized Dealer" means any distributor, reseller or retailer that (i) was duly authorized to do business in the jurisdiction where it sold the Product to You, (ii) was permitted to sell You the Product under the laws of the jurisdiction where You bought the Product, and (iii) sold You the Product new and in its original packaging.

"Formal Warranty Claim" means a claim made in accordance with the section "Formal Warranty Claims" herein.

"Product" means a Product (i) that contained a reference to the "live forever" Limited Warranty, (ii) that You bought from an Authorized Dealer new and in its original packaging, and (iii) whose serial number, if any, has not been removed, altered, or defaced.

"Product Defect" means an inadequacy of the Product that existed at the time when You received the Product from an Authorized Dealer and that causes a failure of the Product to perform in accordance with Monster's documentation accompanying the Product, unless such failure has been caused completely or partly by (a) any use other than Adequate Use, (b) transportation, neglect, misuse or abuse by anyone other than Monster's employees; (c) alteration, tampering or modification of the product by anyone other than a Monster employee; (d) accident (other than a malfunction that would otherwise qualify as a Product Defect); (e) maintenance or service of the Product by anyone other than a Monster employee; (f) exposure of the Product to heat, bright light, sun, liquids, sand or other contaminants; or (g) acts outside the control of Monster, including without limitation acts of God, fire, storms, earthquake or flood.

"You" means the first individual person that purchased the Product in its original packaging from an Authorized Dealer. This Limited Warranty does not apply to persons or entities that bought the Product (i) in used or unpackage form, (ii) for resale, lease or other commercial use, or (iii) from someone other than an Authorized Dealer.

SCOPE OF THIS LIMITED WARRANTY

If a Product contained a Product Defect when You bought it from an Authorized Dealer and Monster receives a Formal Warranty Claim from You within two (2) months after You discover such Product Defect (or should have discovered it, if such Product Defect was obvious), then Monster will replace the Product with the same or a comparable product. This Limited Warranty is valid during the lifetime of the Product if You keep it, but it ends after You have transferred ownership of the Product. NOTE: MONSTER does not assume any liability for ANY INCIDENTAL, CONSEQUENTIAL OR INDIRECT DAMAGES UNDER THIS LIMITED WARRANTY.

GENERAL PROVISIONS

Choice Of Law/Jurisdiction. This Limited Warranty and any disputes arising out of or in connection with this Limited Warranty (“Disputes”) shall be governed by the laws of the State of California, USA, excluding conflicts of law principles and excluding the Convention for the International Sale of Goods. The courts located in the State of California, USA shall have exclusive jurisdiction over any Disputes.

Other Rights. THIS LIMITED WARRANTY GIVES YOU SPECIFIC LEGAL RIGHTS, AND YOU MAY ALSO HAVE OTHER RIGHTS, WHICH VARY FROM STATE TO STATE AND JURISDICTION TO JURISDICTION, INCLUDING, WITHOUT LIMITATION, THOSE RIGHTS UNDER NATIONAL LAWS IMPLEMENTING EC DIRECTIVE 44/99/EC, AND WHICH SHALL NOT BE AFFECTED BY THIS LIMITED WARRANTY. THIS WARRANTY EXTENDS ONLY TO YOU AND CANNOT BE TRANSFERRED OR ASSIGNED. If any provision of this Limited Warranty is unlawful, void or unenforceable, that provision shall be deemed severable and shall not affect any remaining provisions. In case of any inconsistency between the English and other versions of this Limited Warranty, the English version shall prevail.

Registration. Please register Your Product at www.MonsterCable.com/Warranty. Failure to register will not diminish Your warranty rights.

FORMAL WARRANTY CLAIM

How To Make A Claim. In the event damage has occurred to Products, You must follow these instructions: (1) Call 001-877-800-8989 within two (2) months after You discover a Product Defect (or should have discovered it, if such Product Defect was obvious); (2) Give a detailed explanation of how the damage occurred; (3) Obtain a Return Authorization Number; (4) Upon receipt of a claim form (which may be sent to You after You filed Your Formal Warranty Claim), fill out the claim form entirely; (5) Return the Products, shipping prepaid by You (to be refunded if You are entitled to a remedy under the Scope of this Limited Warranty), to Monster for verification of damage, along with a copy of Your original sales receipts and proof of purchase (UPC label or packing slip) for such Products, the completed claim form, and printed Return Authorization Number on the outside of the return package (the claim form will include instructions for return).

Timing. If You bring a Formal Warranty Claim and fully comply with all terms and conditions of this Limited Warranty, Monster will use its best efforts to replace the Product within thirty (30) days after receipt of Your Formal Warranty Claim (if You reside in the United States - forty-five (45) days if You reside elsewhere), unless obstacles outside Monster’s control delay the process.

Ver.050604 –Live Forever Warranty
©2004-2007 Monster, LLC

**MONSTER
FLATSCREEN™
SUPPORTS**

GUIDE D'UTILISATION ET GARANTIE

**Support d'écran plat
SmartView™ 300M**

MESSAGE DU MONSTRE EN CHEF

Cher enthousiaste,

MERCI d'avoir choisi le support d'écran plat Monster® SmartView™ 300M. Le SmartView 300M est le reflet de notre passion pour la création de solutions audio-vidéo les plus innovantes du marché, afin de permettre aux passionnés tels que vous de bénéficier au maximum de tous les avantages offerts par les composants audiovisuels à hautes performances. Le SmartView 300M est le seul support d'écran plat du marché qui autorise des réglages de la hauteur et de l'inclinaison sans outils ni démontage. Vous pouvez toujours trouver facilement la meilleure vision.



A handwritten signature in black ink, which appears to read 'Noel Lee'. The signature is stylized and cursive.

Noel Lee,
Le Monstre en chef

D'autres superbes produits Monster FlatScreen™

Le design répondant à vos attentes. Les performances que vous recherchez.



Monster FlatScreen Cables™

Ultra minces et flexibles, Monster FlatScreen Cables garantit des connexions simples et ordonnées pour votre écran plat. Ils bénéficient des technologies avancées Monster Cable, pour que l'image et le son soient toujours de la meilleure qualité possible.

PowerProtect™ et PowerCenters™ de Monster FlatScreen

Protégez l'investissement que représente votre écran plat contre des surtensions et les défauts de votre alimentation électrique en choisissant les technologies Monster Power®, qui incluent *Monster SurgeGuard™* et *Monster Clean Power.™*



Monster FlatScreen Clean™

Notre solution de nettoyage spéciale pour écrans LCD et plasma élimine instantanément les poussières, la saleté et les empreintes digitales sur la surface de votre écran, sans laisser aucune trace, goutte ou micro-rayure.

Pour obtenir d'autres informations sur les produits Monster FlatScreen, visitez notre site internet **MonsterCable.com/FlatScreen**

MONSTER FLATSCREEN™ SUPPORTS

Support d'écran plat SmartView™ 300M

Le SmartView 300M est conçu pour supporter les téléviseurs à écran plat LCD et plasma de **24" à 37"** sur des surfaces verticales. Le poids maximal supporté est de **45 kg**.

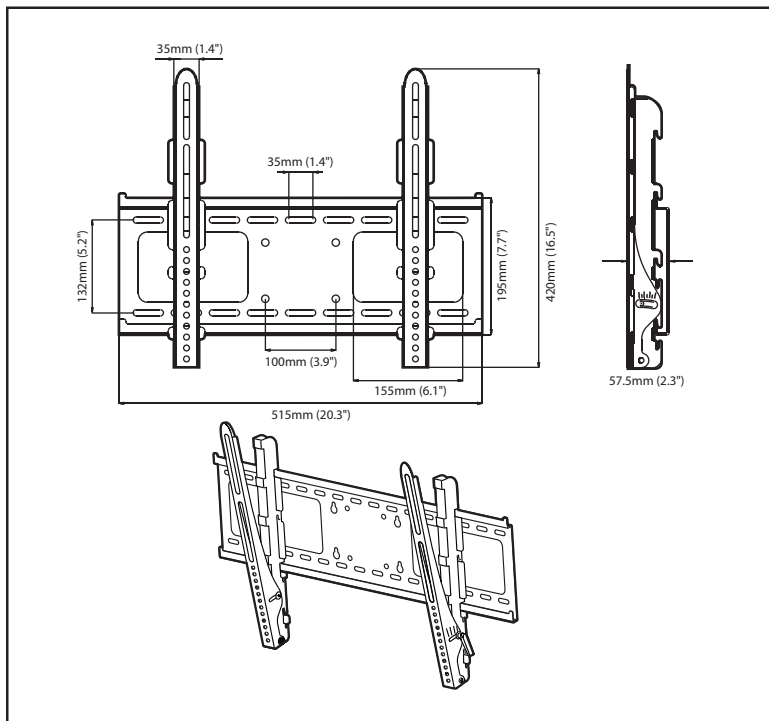
AVERTISSEMENT DE SECURITE : En cas de doute concernant les instructions présentées dans ce document, ou pour installer le produit, veuillez contacter un revendeur agréé ou appelez Monster Cable Products, Inc. au **1-877-800-8989**.

Avant de procéder à l'installation, lisez attentivement les instructions suivantes et vérifiez qu'aucune pièce n'est manquante ou défectueuse. Une installation incorrecte peut provoquer des dommages ou de graves blessures. Ce produit ne doit pas être utilisé pour une autre application que celle explicitement indiquée par Monster ou son fabricant. Monster ne peut en aucun cas être tenue responsable des dommages causés par un assemblage, un montage ou une utilisation incorrecte.

Tout le matériel nécessaire au montage sur les surfaces suivantes est fourni : Montant en bois, mur en briques, en béton plein, bloc de béton ou parpaing.

Remarque : Le matériel fourni n'est pas conçu **pour les murs contenant des montants en métal**. Si vous n'êtes pas certain de connaître le matériau de la paroi sur laquelle vous comptez installer le support, contactez un professionnel.

Caractéristiques et remarques :



Monster s'efforce en permanence d'améliorer ses produits.
Les caractéristiques techniques peuvent être modifiées sans préavis.

Outils nécessaires à l'installation

Fixation sur montants en bois :

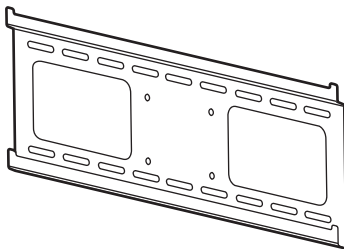
- Détecteur électronique
- Niveau à bulle
- Perceuse électrique
- Foret de 5 mm (3/16")
- Tournevis cruciforme
- Clés plates, à oeil ou à douille

Fixation dans de la maçonnerie (brique, béton, parpaing) :

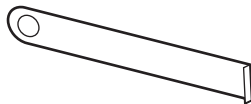
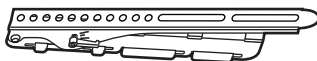
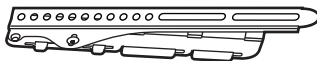
- Outils ci-dessus, plus
- Utilisez un foret à béton de 12 mm (0,5") de diamètre (au lieu de 5 mm)

Contenu de l'emballage

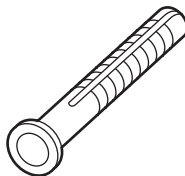
1 Platine de
fixation murale



2 Barres de réglage
verticales inclinables

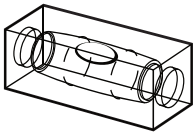


1 Barre de verrouillage
en forme de L

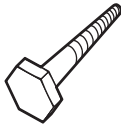


4 Chevilles
de maçonnerie

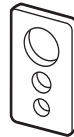
Si l'un de ces éléments est manquant, appelez le 800-877-8989.



1 Niveau à bulle



4 Tire-fond



4 Rondelles carrées



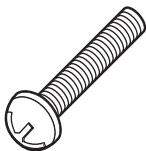
4 Entretoises No.1



4 Entretoises No.2



4 Rondelles ordinaires



Vis

4 de chaque type M4x15/M4x35/M4x45

4 de chaque type M5x15/M5x35/M5x45

4 de chaque type M6x15/M6x35/M6x45

4 de chaque type M8x15/M8x35/M8x45

Mises en garde et Mesures de précaution

Actions interdites :

- ⊘ **N'installez pas le produit sur une surface inclinée. Installez exclusivement le produit sur une surface verticale.**
- ⊘ **N'installez pas le produit dans une pièce où il serait exposé à des températures élevées ou une humidité excessive.**
- ⊘ **N'installez pas le produit à proximité d'un climatiseur.**
- ⊘ **N'installez pas le produit dans un endroit excessivement exposé à la poussière, à la fumée, à la chaleur, à l'humidité. Ces conditions peuvent provoquer un incendie.**
- ⊘ **Une fois l'unité installée, ne soumettez le support à des contraintes physiques ou à des charges inutiles.**
- ⊘ **Ne procédez pas seul(e) à l'installation. Celle-ci nécessite au moins deux personnes.**
- ⊘ **Ne faites pas passer le câble d'alimentation du téléviseur à écran plat à travers un mur. Renseignez-vous sur la réglementation en vigueur concernant le bâtiment ou l'installation d'équipement.**

Mesures de précaution :

- ⚠ **Pour éviter la fatigue oculaire, n'installez pas l'unité dans un endroit exposé aux rayons directs du soleil ou à une luminosité excessive.**
- ⚠ **Avant toute opération de maintenance, déconnectez l'alimentation du téléviseur pour éviter tout risque d'électrocution.**
- ⚠ **Si vous prévoyez de faire passer un câble audio-vidéo dans un mur, utilisez exclusivement un câble certifié UL.**

Préparation de l'installation

- Le site d'installation permet-il d'assurer une bonne visibilité de l'écran, sans reflets ou autres gênes visuelles ?
- Si l'installation utilise deux montants muraux, leur séparation est-elle inférieure à 48 cm (19") ?
- Une prise secteur est-elle disponible à proximité de l'emplacement choisi, de préférence derrière le téléviseur ?
- Le site d'installation est-il éloigné d'au moins un mètre d'une source d'eau ou de chaleur ?


CONSEIL Pour dissimuler le câble d'alimentation de votre téléviseur, installez un Monster® In-Wall PowerCenter™ derrière votre écran.

Installation de la platine de fixation murale

Retirez tous les composants du kit et vérifiez qu'il n'en manque aucun.

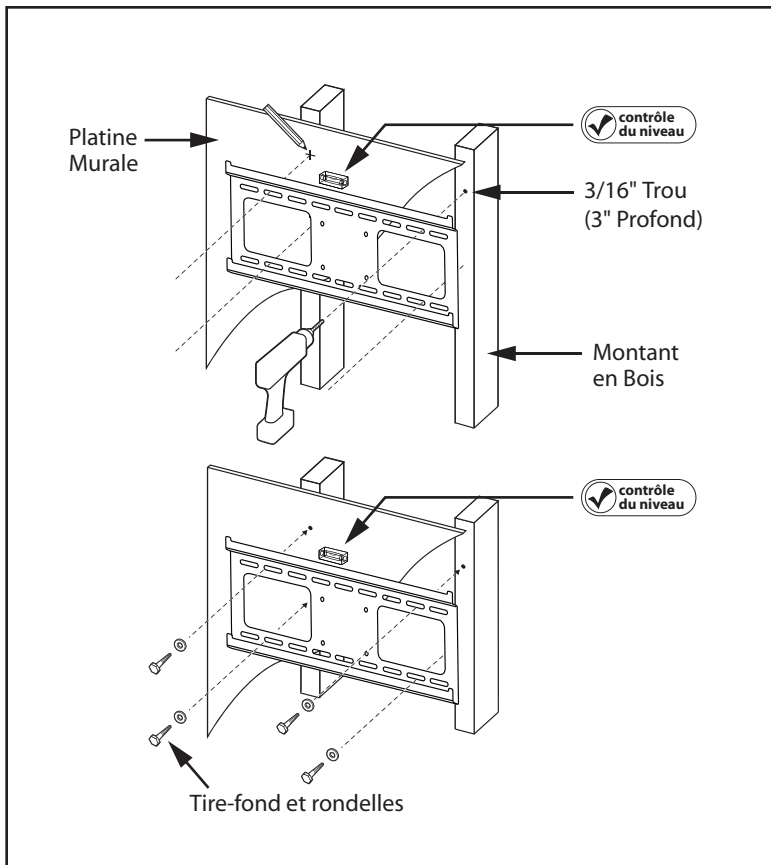
 **Choisissez un emplacement d'installation autorisant un accès aisé à une prise secteur.**

Fixation sur montants en bois :

- 1) A l'aide d'un détecteur électronique, déterminez la position de deux montants muraux adjacents séparés par une distance minimale de 30 cm (12").
- 2) En vous faisant aider d'une autre personne, alignez les encoches de montage horizontales supérieures et inférieures de la platine de fixation sur le centre des montants muraux.
- 3)  Vérifiez l'aplomb avec le niveau. Maintenez fermement la platine en position.
- 4) Marquez le centre du montant dans chaque encoche (en bas à gauche, en haut à gauche, en bas à droite, et en haut à droite).
- 5) A l'aide d'une perceuse électrique munie d'un foret de 5 mm, percez un trou de 76 mm de profondeur sur chaque point marqué.
- 6) Fixez la platine sur le mur avec les tire-fond et les rondelles fournis, comme indiqué à droite. Serrez les tire-fond avec une perceuse électrique ou une clé à douille. Serrez à fond dans le sens horaire.

 **NE SERREZ PAS les vis exagérément. Cela pourrait endommager la platine murale ou la surface du mur.**

 **NE LÂCHEZ PAS la platine tant que vous n'avez pas serré les tire-fond.**




Installation de la platine de fixation murale *suite*

Fixation dans de la maçonnerie

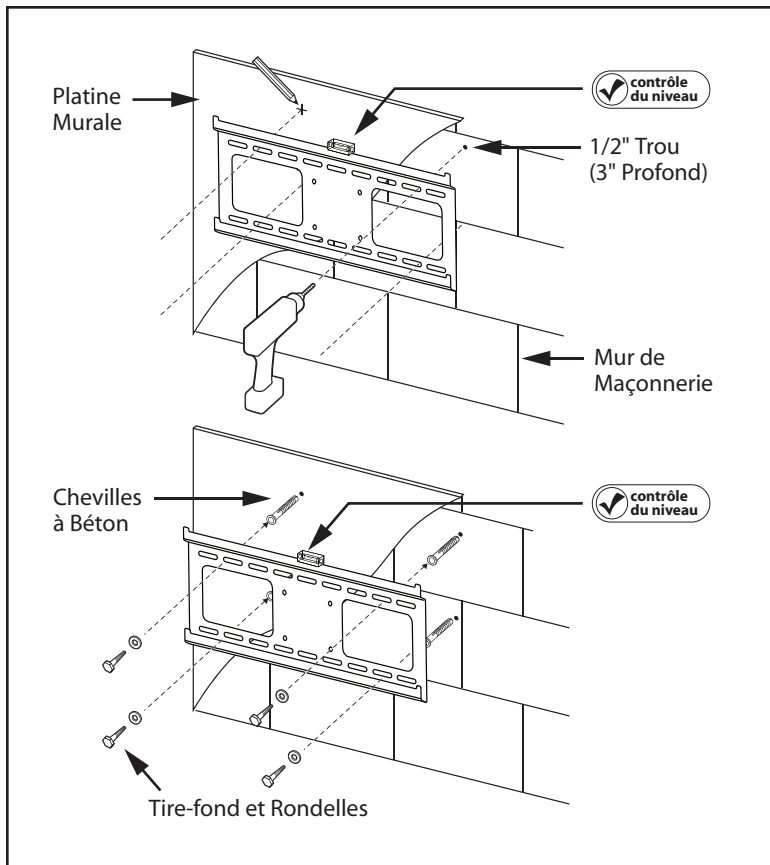
Bien que les matériaux nécessaires à une installation sur un mur de maçonnerie sont fournis (vis et chevilles), ce type de montage nécessite des connaissances, des techniques et des outils spécifiques. Dans ce cas, Monster vous conseille de faire appel à un installateur professionnel.

 **NE PERCEZ PAS de trous dans un joint de maçonnerie.**

- 1)  Demandez à quelqu'un de vous aider pour maintenir la platine de fixation en position. Vérifiez son aplomb avec le niveau. Marquez les centres des quatre trous, comme indiqué à droite. Veuillez à ne pas marquer un trou à percer dans un joint en ciment.
- 2) A l'aide d'une perceuse électrique munie d'un foret à béton de 12 mm, percez un trou de 76 mm de profondeur sur chaque point marqué.
- 3) Insérez dans les trous les chevilles en plastique fournies. Elles doivent rentrer à fond.
- 4) Fixez la platine sur le mur avec les tire-fond et les rondelles fournis, comme indiqué à droite. Vérifiez que le centre plat de la platine est contre le mur.

 **NE SERREZ PAS les vis exagérément. Vous risqueriez d'endommager la platine de fixation ou la paroi.**

 **NE LÂCHEZ PAS la platine tant que vous n'avez pas serré les tire-fond.**



Fixation des barres de réglage inclinables verticales sur le téléviseur

 **Lorsque vous fixez les barres de réglage, NE POSEZ PAS l'écran à plat. Vous pourriez endommager sa surface. Posez-le verticalement en l'appuyant contre un mur ou une paroi solide.**

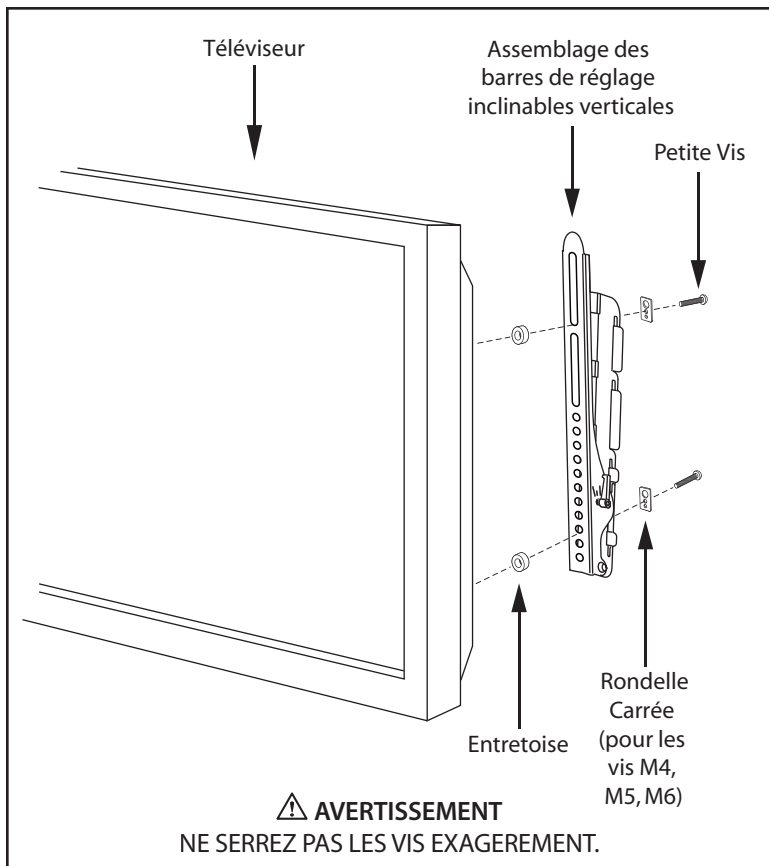
 **Le téléviseur doit être débranché avant de monter les boulons ou vis au dos de l'écran.**

Le système de fixation comprend 12 jeux de vis d'une longueur et d'un diamètre différents. Avant de monter les barres de réglage, vous devez sélectionner les vis correspondant à votre téléviseur.




Les modèles à un dos plat utilisent les vis courtes sans entretoise. Les modèles à dos courbé, ou à encastrement, utilisent des vis plus longues avec des entretoises entre le téléviseur et les barres de réglage. Les petites vis M4, M5 ou M6 nécessitent une rondelle carrée (fournie) entre la barre de réglage et chaque vis.

- 1) Repérez l'emplacement des filetages au dos du téléviseur. Vissez une vis d'un des jeux au dos du téléviseur pour vérifier votre choix.
- 2) Vissez les vis à travers les barres de réglage dans les encastrement du téléviseur en ajoutant les entretoises et les rondelles, selon les cas. Vous devez installer chaque barre de réglage de façon à ce que ses poignées *Pull 'n' Twist™* soient face au bord extérieur du téléviseur.
- 3) A l'aide d'un tournevis cruciforme, serrez les vis pour fixer les barres de réglage sur le téléviseur.

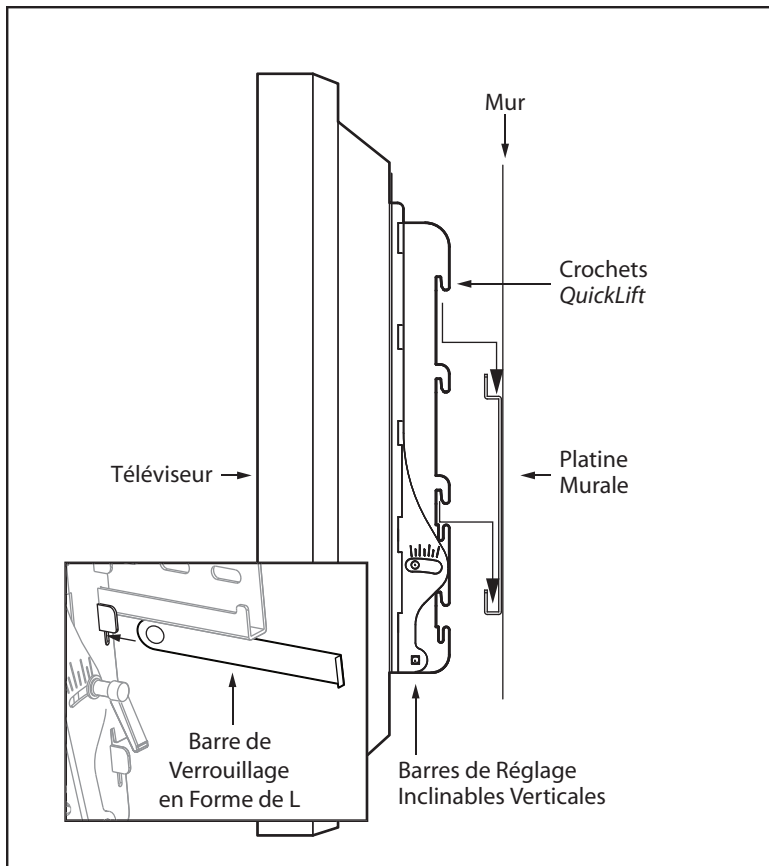
 **NE SERREZ PAS les vis exagérément. Avant de serrer, vissez à fond à la main. Dès que vous sentez une résistance, retirez la vis et essayez à nouveau.**



Montage du téléviseur avec les barres de réglage sur la platine de fixation murale

-  **Vérifiez que les mécanismes d'inclinaison sont bloqués avant de procéder à l'installation du téléviseur. Consultez les instructions complètes page 16.**
-  **Monster vous conseille vivement d'être deux pour effectuer les opérations suivantes.**
-  **NE LÂCHEZ PAS le téléviseur avant d'être absolument certain qu'il est correctement monté et fixé à la platine murale.**

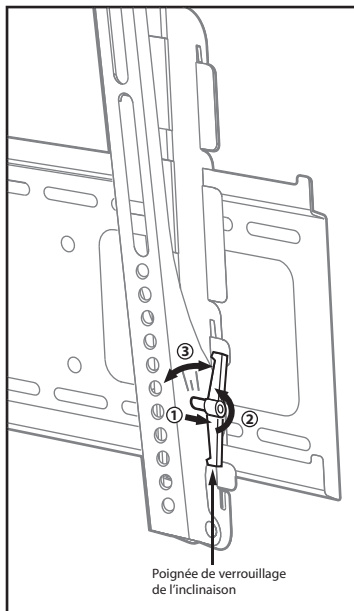
- 1) Branchez le câble d'alimentation du téléviseur et le ou les autres câbles audio-vidéo avant de l'accrocher au mur. À deux personnes, soulevez le téléviseur et branchez son câble d'alimentation dans la prise secteur CA la plus proche. Si un câble AV doit traverser le mur, faites-le maintenant passer dans l'orifice prévu dans la platine de fixation et dans le trou préparé dans le mur.
- 2) Repérez les deux jeux de crochets *QuickLift*™ situés au dos des barres de réglage qui sont maintenant fixées au téléviseur.
- 3) Insérez la paire de crochets *QuickLift* supérieurs ou inférieurs dans les emplacements horizontaux supérieurs ou inférieurs de la platine de fixation murale. (Voir le schéma à la page ci-contre.)
- 4) La position la plus haute de l'écran nécessite des câbles audio/vidéo et d'alimentation ayant une longueur supplémentaire de 7,6 cm (3").
- 5) Sécurisez l'écran en position avec la barre de verrouillage en forme de L. Glissez-la horizontalement à travers l'espace sous l'un des crochets inférieurs.
- 6) La barre de verrouillage doit toujours être utilisée pour réduire les risques liés aux mouvements sismiques. Vous pouvez ajouter un cadenas comme protection supplémentaire contre le vol.



Réglage de la hauteur et de l'inclinaison du téléviseur

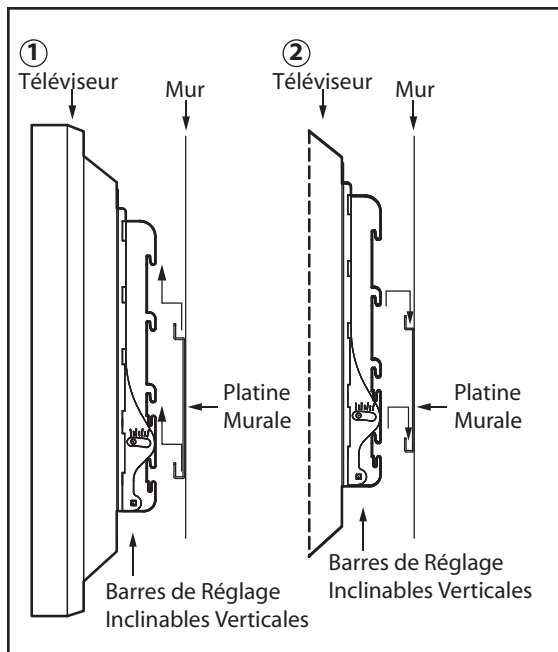
Inclinaison du téléviseur :

- 1) Avec une personne de chaque côté du téléviseur, tournez les poignées *Pull 'n' Twist™* vers le bas autant que vous pouvez. Vous débloquentez ainsi les barres de réglage et déclenchez leur inclinaison.
- 2) Pour continuer de débloquent les barres de réglage et pour les incliner davantage, tirez sur la partie ronde de la poignée et maintenez-la en direction de l'extérieur. Vous enclenchez ainsi le mécanisme à cliquet.
- 3) Une fois le mécanisme à cliquet enclenché, tournez la poignée vers le haut jusqu'à son point le plus élevé.
- 4) Relâchez la poignée pour désactiver le mécanisme à cliquet. Lorsque la poignée s'est verrouillée en position, vous pouvez la tourner vers le bas à nouveau. Répétez l'étape 1.
- 5) Pour éviter d'exercer une contrainte sur le téléviseur, vérifiez que les deux barres ont le même angle d'inclinaison.
- 6) Pour bloquer les barres en position à l'angle d'inclinaison choisi, suivez les instructions ci-dessus dans l'ordre inverse. Tournez les poignées vers le haut avec le mécanisme de cliquet enclenché jusqu'à ce que les barres soient bloquées en position.



Pour abaisser et lever le téléviseur :

- 1) A deux personnes, soulevez le téléviseur et sortez les crochets *QuickLift™* de la platine de fixation.
- 2) Insérez les crochets *QuickLift* inférieurs ou supérieurs dans les emplacements horizontaux inférieurs et supérieurs de la platine de fixation.



Félicitations

Vous avez terminé l'installation de votre SmartView 300M.

Pour plus d'informations sur les produits innovants de Monster destinés aux écrans plats, visitez le site www.MonsterCable.com/FlatScreen. Vous y découvrirez notamment le câble ultra-plat FlatScreen et notre solution de nettoyage de téléviseurs LCD et plasma pour un entretien sans risque.

GARANTIE LIMITEE A VIE OFFERTE AUX CLIENTS

Monster, LLC, 7251 West Lake Mead Blvd, Las Vegas, NV 89128, USA (« **Monster** ») vous offre cette garantie limitée. La loi ou le droit coutumier peuvent vous accorder des droits ou réparations supplémentaires, qui ne seront pas affectés par cette Garantie limitée.

DEFINITIONS

« **Utilisation adéquate** » signifie l'utilisation du Produit (i) dans une maison d'habitation, (ii) à des fins privées (et non pas commerciales), (iii) en conformité avec toutes les législations locales, d'état ou fédérales, codes ou règlements en vigueur (y compris, mais ne s'y limitant pas, la réglementation du bâtiment et/ou des installations électriques), (iv) en conformité avec les recommandations et/ou instructions du fabricant figurant sur les matériels et la documentation qui accompagnent le Produit, (v) avec une prise de terre correcte.

« **Revendeur agréé** » signifie tout distributeur ou revendeur (i) dûment autorisé à exercer dans la juridiction où il vous a vendu le Produit, (ii) autorisé à vous vendre le Produit en vertu des législations en vigueur dans la juridiction où vous avez acheté le Produit et (iii) qui vous a vendu le Produit neuf et dans son emballage d'origine.

« **Réclamation officielle sous garantie** » signifie une réclamation effectuée conformément à la section « **Réclamations officielles sous garantie** » des présentes.

« **Produit** » signifie un Produit (i) qui contenait une référence à la Garantie limitée à vie, (ii) que vous avez acheté chez un Revendeur agréé, neuf et dans son emballage d'origine et (iii) dont le numéro de série, s'il existe, n'a pas été supprimé, modifié ou endommagé.

« **Défaut du produit** » désigne une insuffisance du Produit qui existait au moment où un Revendeur autorisé vous a remis le Produit, et qui empêche le Produit de fonctionner conformément à la documentation Monster qui accompagne le Produit, sauf si cette insuffisance a été provoquée en totalité ou en partie par (a) toute utilisation autre qu'une utilisation adéquate, (b) le transport, la négligence ou l'abus de toute personne autre que les employés de Monster ; (c) la modification du Produit par toute personne autre qu'un employé de Monster ; (d) un accident (autre qu'un mauvais fonctionnement qui serait autrement considéré comme un Défaut du produit) ; (e) la maintenance ou l'entretien du Produit par qui ce soit, à l'exception d'un employé Monster ; (f) l'exposition du Produit à la chaleur, la lumière vive, le soleil, des liquides, du sable ou autres contaminants ; ou (g) des actes hors du contrôle de Monster, y compris mais de manière non exhaustive des catastrophes naturelles, incendies, tempêtes (à l'exclusion des surtensions dues à la foudre), des tremblements de terre ou des inondations.

« **Vous** » signifie la première personne physique ayant acheté le Produit, dans son emballage d'origine, auprès d'un Revendeur agréé. La présente Garantie Limitée ne s'applique pas aux personnes ou entités ayant acheté le Produit (i) d'occasion ou hors de son emballage d'origine, (ii) pour le revendre, le louer ou dans le cadre d'une autre utilisation commerciale, ou (iii) auprès d'une personne autre qu'un Revendeur agréé.

DOMAINE D'APPLICATION DE CETTE GARANTIE LIMITEE

Si un Produit présentait un Défaut lorsque vous l'avez acheté chez un Revendeur autorisé et si Monster reçoit une Réclamation officielle sous garantie de votre part dans les deux (2) mois à compter de la date à laquelle vous découvrez ce Défaut (ou la date à laquelle vous auriez dû le découvrir, si ce Défaut était évident), Monster remplacera le Produit avec un produit identique ou comparable. Cette Garantie limitée est valide pendant la durée de vie du produit, si vous le conservez, mais elle est annulée lorsque vous cédez le Produit à un tiers. REMARQUE : MONSTER DECLINE TOUTE RESPONSABILITE QUANT AUX DOMMAGES ACCESSOIRES OU INDIRECTS AUX TERMES DE LA PRESENTE GARANTIE LIMITEE.

DISPOSITIONS GENERALES

Législation et juridiction compétentes. Cette Garantie limitée et tout litige qui peut lui être associé (« Litiges ») sont obligatoirement régis par la législation en vigueur dans l'Etat de Californie, USA, à l'exclusion des litiges liés aux principes juridiques ou légaux et à l'exclusion de la Convention sur la vente internationale des marchandises. Les tribunaux de l'Etat de Californie, USA, seront exclusivement compétents pour régler les Litiges.

Autres droits. CETTE GARANTIE LIMITEE VOUS DONNE DES DROITS LEGAUX SPECIFIQUES ; VOUS POUVEZ EGALEMENT AVOIR D'AUTRES DROITS, QUI VARIERONT D'UN ETAT A L'AUTRE ET D'UNE JURIDICTION A UNE AUTRE, INCLUANT SANS LIMITATION LES DROITS ACCORDES PAR UNE LEGISLATION NATIONALE QUI APPLIQUE LA DIRECTIVE EUROPEENNE 44/99/EC, ET QUI NE SERONT PAS AFFECTES PAR CETTE GARANTIE LIMITEE. CETTE GARANTIE VOUS EST EXCLUSIVEMENT DESTINEE ; ELLE NE PEUT PAS ETRE TRANSFEREE OU CEDEE. Si une disposition de cette Garantie limitée s'avère illégale, nulle ou inapplicable, elle sera considérée comme séparable et n'aura aucun effet sur les dispositions restantes. En cas d'incohérence entre la version anglaise et d'autres versions de la présente Garantie Limitée, la version anglaise prévaudra.

Enregistrement. Veuillez enregistrer votre Produit sur le site internet www.MonsterCable.com/Warranty. Le non-enregistrement du Produit n'affecte pas vos droits à la Garantie.

RECLAMATION OFFICIELLE SOUS GARANTIE

Pour présenter une réclamation sous garantie. En cas de dégâts occasionnés à un Produit, vous devez suivre les instructions suivantes : (1) Contactez Monster en appelant le **001-877-800-8989** dans un délai de deux (2) mois à compter de la date à laquelle vous découvrez un Défaut du produit (ou à laquelle vous auriez dû le découvrir, si un tel Défaut était évident) ; (2) Donnez une explication détaillée de la manière dont les dommages se sont produits ; (3) Demandez un Numéro d'autorisation de renvoi ; (4) A la réception d'un formulaire de réclamation (qui pourra vous être envoyé après que vous aurez déposé votre Réclamation officielle sous garantie), remplissez en totalité le formulaire de réclamation ; (5) Renvoyez le ou les Produits, port payé (le port vous sera remboursé si vous avez droit à une réparation aux termes de la présente Garantie limitée) à Monster pour vérification des dommages, ainsi qu'une copie de vos tickets de caisse d'origine et votre justificatif d'achat (étiquette UPC ou bordereau d'expédition) pour le ou les Produits, le formulaire de réclamation rempli et le Numéro d'autorisation de renvoi imprimé à l'extérieur du paquet renvoyé (le formulaire de réclamation contiendra des instructions pour le renvoi).

Délais. Si vous soumettez une réclamation officielle sous garantie et si vous respectez toutes les conditions de la présente Garantie limitée, Monster fera le maximum pour remplacer le Produit dans un délai de trente (30) jours à compter de la réception de votre réclamation officielle sous garantie (si vous résidez aux Etats-Unis, et quarante-cinq (45) jours si vous résidez ailleurs), sauf si des obstacles hors du contrôle de Monster venaient à retarder ce processus.

Ver.050604 – Garantie à vie
©2004-2007 Monster, LLC

**MONSTER
FLATSCREEN™
BASES**

GUÍA DEL USUARIO Y GARANTÍA

**Base SmartView™ 300M
FlatScreen para televisores planos**

UN MENSAJE DEL MONSTER MAYOR

Estimado entusiasta,

GRACIAS por haber adquirido la base SmartView™ 300M FlatScreen de Monster® para televisores planos. La SmartView 300M refleja nuestra pasión por crear las soluciones de audio y video más innovadoras y prácticas del mercado, para que los entusiastas de los equipos de audio y video como usted los disfruten al máximo en todo momento. La SmartView 300M es la única base para televisores planos en el mercado que permite ajustes instantáneos de la altura y la inclinación, sin necesidad de utilizar herramientas ni de desarmar la base, de modo que siempre sea fácil lograr la mejor visión.



A handwritten signature in black ink, appearing to read 'Noel Lee', located below the main text and to the left of the name caption.

Noel Lee,
El Monster Mayor

Otros excelentes productos de FlatScreen™ de Monster para televisores planos

La apariencia que usted quiere. Las funciones que necesita.



Cables FlatScreen™ de Monster

Los cables FlatScreen de Monster, de perfil ultra-bajo y gran flexibilidad, garantizan una conexión limpia y ordenada a su pantalla delgada. Además incorporan tecnologías avanzadas de Monster Cable para que siempre reciba la mejor imagen y el mejor sonido posibles.

FlatScreen PowerProtect™ y PowerCenters™ de Monster

Proteja la inversión que hizo en su televisor plano de las nocivas sobretensiones eléctricas y de la electricidad "sucias" mediante las tecnologías exclusivas de Monster Power®, que incluyen las tecnologías *SurgeGuard™* y *Clean Power™* de Monster.



FlatScreen Clean™ de Monster

Nuestra solución de limpieza para televisores LCD y de plasma, que quita instantáneamente el polvo, el sucio y las huellas digitales, sin goteo, manchas ni arañazos.

Para más información acerca de todos nuestros productos FlatScreen de Monster, visítenos en MonsterCable.com/FlatScreen

MONSTER FLATSCREEN™ BASES

Base SmartView™ 300M FlatScreen para televisores planos

La base SmartView 300M está diseñada para fijar televisores de LCD y de plasma de **24 a 37 pulgadas** (61 a 94 cm) a paredes verticales. Soporta un peso máximo de **100 libras (45 kg)**.

ADVERTENCIA DE SEGURIDAD: Si no entiende estas instrucciones, o si no está seguro de cómo instalar este producto, llame a un instalador calificado o comuníquese con Monster Cable Products, Inc. al teléfono **1-877-800-8989**.

Antes de la instalación, lea cuidadosamente las instrucciones para asegurarse de que no falte ninguna pieza y de que todas estén en buen estado.

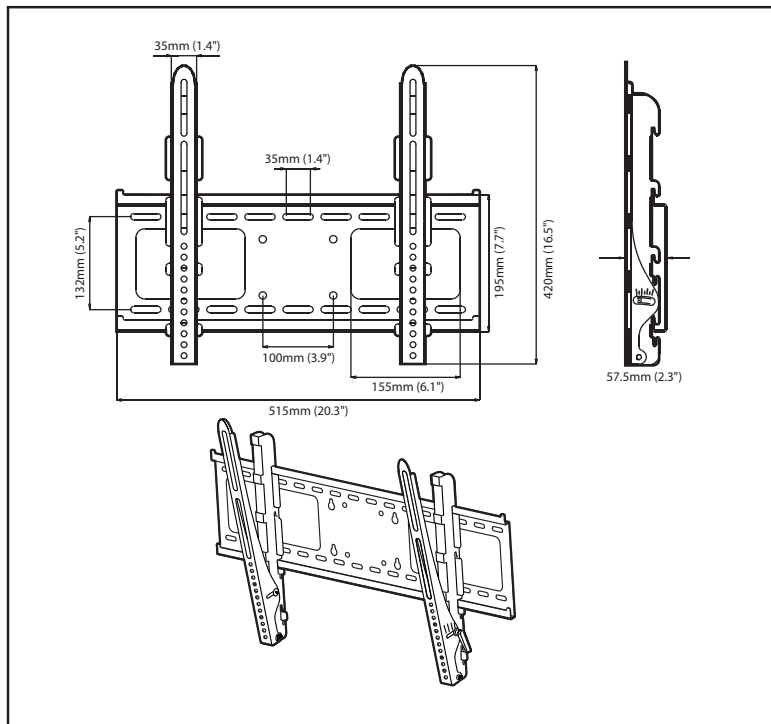
Una instalación incorrecta puede causar daños materiales y heridas graves.

No utilice este producto para propósitos distintos a los especificados explícitamente por Monster. Monster no será responsable por daños o heridas causadas por el armado incorrecto, la instalación incorrecta o el uso incorrecto del producto.

Todos los accesorios de instalación suministrados son adecuados para los siguientes tipos de pared: De montantes de madera, de ladrillo, de concreto sólido y de ladrillos de concreto.

Nota: Los accesorios suministrados **no deben utilizarse en paredes de montantes de acero**. Consulte a un especialista si no está seguro acerca del tipo de pared en la que va instalar la base.

Especificaciones y notas:



Monster se esmera constantemente en mejorar sus productos.
Las especificaciones están sujetas a cambios sin previo aviso.

Herramientas requeridas

Instalación en paredes de montantes de madera:

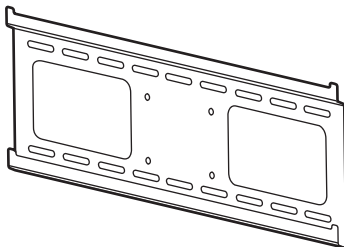
- Sensor electrónico de montantes
- Nivel de burbuja
- Taladro eléctrico de mano
- Broca de 3/16" (5 mm) para taladro
- Destornillador de cruz
- Llaves de tuercas de combinación o juego de cubos

Instalación en paredes de mampostería (ladrillo, concreto sólido, ladrillo de concreto):

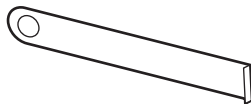
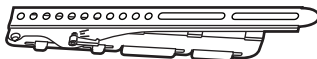
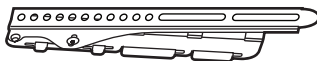
- Las indicadas anteriormente
- Sustituya la broca de 3/16" (5 mm) por una de 1/2" (13 mm) para mampostería

Contenido del paquete

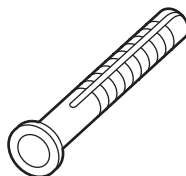
1 placa de pared



2 barras de inclinación
y ajuste vertical

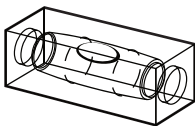


1 barra de bloqueo
en forma de "L"

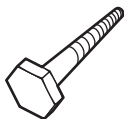


4 anclajes para concreto

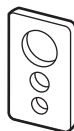
Llame al 800-877-8989 si falta alguna pieza.



1 nivel de burbuja



4 pernos
autoroscantes



4 arandelas cuadradas



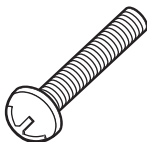
4 espaciadores del tipo 1



4 espaciadores del tipo 2



4 arandelas circulares



Tornillos

4 unidades de tornillos M4x15/M4x35/M4x45

4 unidades de tornillos M5x15/M5x35/M5x45

4 unidades de tornillos M6x15/M6x35/M6x45

4 unidades de tornillos M8x15/M8x35/M8x45

Precauciones y advertencias

Acciones prohibidas:

- ⊘ Evite instalar la base en superficies inclinadas. Sólo se debe instalar en superficies verticales.
- ⊘ Evite instalar la base en recintos donde haya calor o humedad en exceso.
- ⊘ Evite instalar la base cerca de acondicionadores de aire.
- ⊘ Evite instalar la base en lugares donde haya fuentes de polvo, humo o de humedad en exceso. Dichas fuentes pueden producir incendios.
- ⊘ Una vez instalada, evite someter a la base a cargas o esfuerzos innecesarios.
- ⊘ Evite instalarla usted solo. Para una instalación segura debe contar con un ayudante.
- ⊘ No coloque el cable de potencia eléctrica de su televisor plano dentro de la pared. Para más información, consulte las normas locales de construcción y de instalaciones eléctricas.

Precauciones:

- ⚠ Para prevenir la fatiga visual, no instale su televisor plano en lugares que reciban directamente la luz del sol ni en los que haya demasiada luz.
- ⚠ Al hacer mantenimiento, desconecte la alimentación de electricidad del televisor para prevenir choques eléctricos.
- ⚠ Si planea llevar los cables de audio y video por el interior de la pared, use solamente cables certificados por UL para ese propósito.

Lista de comprobación previa a la instalación

- ¿Puede ver el lugar donde va a instalar la base sin obstrucciones y sin reflejos ni resplandor?
- Si se va a fijar la base a dos montantes de pared, ¿están los montantes a una distancia menor de 19 pulgadas (48 cm)?
- ¿Existe un tomacorriente de CA en las cercanías del lugar de instalación, preferiblemente detrás del televisor?
- ¿Está el lugar de instalación a una distancia mínima de 3 pies (0,90 m) de fuentes de calor o de agua?


CONSEJO Si quiere esconder el cable de alimentación de electricidad de su televisor, instale un In-Wall PowerCenter™ de Monster® detrás del lugar en el que va a colocar su televisor.

Instalación de la placa de pared

Saque todas las piezas de la base SmartView para asegurarse de que cuenta con todas las piezas necesarias.

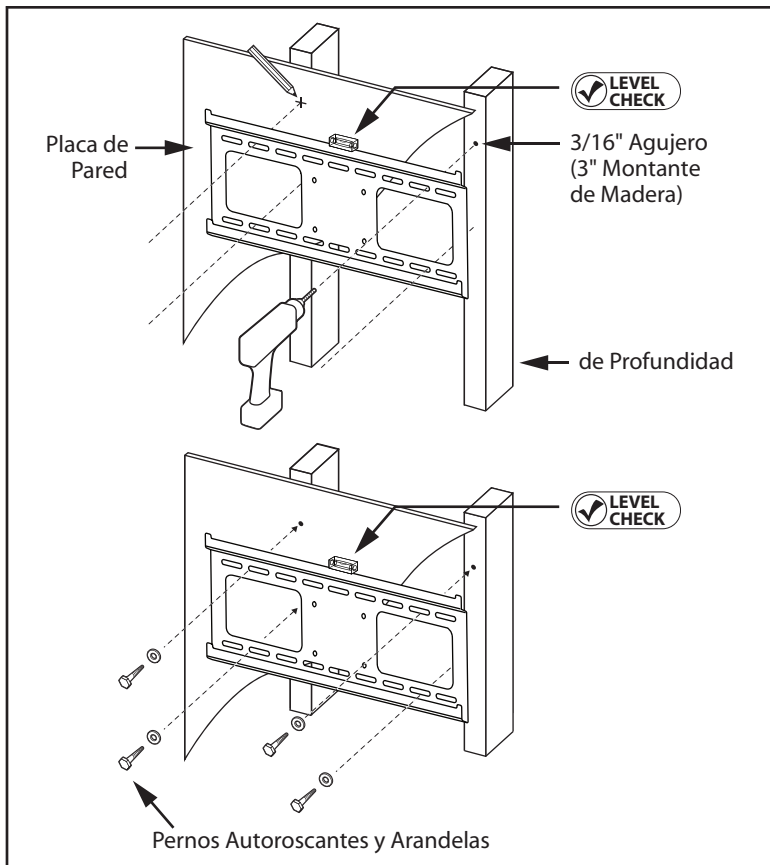
 **Asegúrese de seleccionar un lugar de instalación que tenga un fácil acceso a un tomacorriente de pared.**

Instalación en paredes de montantes de madera:

- 1) Utilice un detector electrónico de montantes para encontrar dos montantes adyacentes situados a una distancia de 12 pulgadas (31 cm) o mayor.
- 2) Alinee las ranuras horizontales superior e inferior de la placa de pared sobre la línea central de los montantes de la pared. Pida ayuda a un amigo.
- 3)  **Comprobación de horizontalidad** Utilice el nivel de burbuja para colocar la placa de pared en posición horizontal. Sujete la placa firmemente en su lugar.
- 4) Marque el centro de los montantes en cada una de las cuatro ranuras (inferior izquierda, superior izquierda, inferior derecha, superior derecha).
- 5) Utilice un taladro eléctrico y una broca de 3/16" (5 mm) para perforar un agujero auxiliar de 3 pulgadas (75 mm) de profundidad en ambas marcas.
- 6) Fije la placa de pared a la pared mediante los pernos autoroscantes y las arandelas circulares, como se muestra a la derecha. Utilice un taladro eléctrico o una llave de cubo para apretar los pernos. Gire los pernos en sentido horario hasta apretarlos firmemente.

 **EVITE APRETAR los pernos en exceso. Podría dañar la placa de pared o la superficie de la pared.**

 **MANTENGA SUJETA la placa de pared hasta que esté totalmente seguro de que esté firmemente adosada a la pared.**




Instalación de la placa de pared *continuación*

Instalación en paredes de mampostería

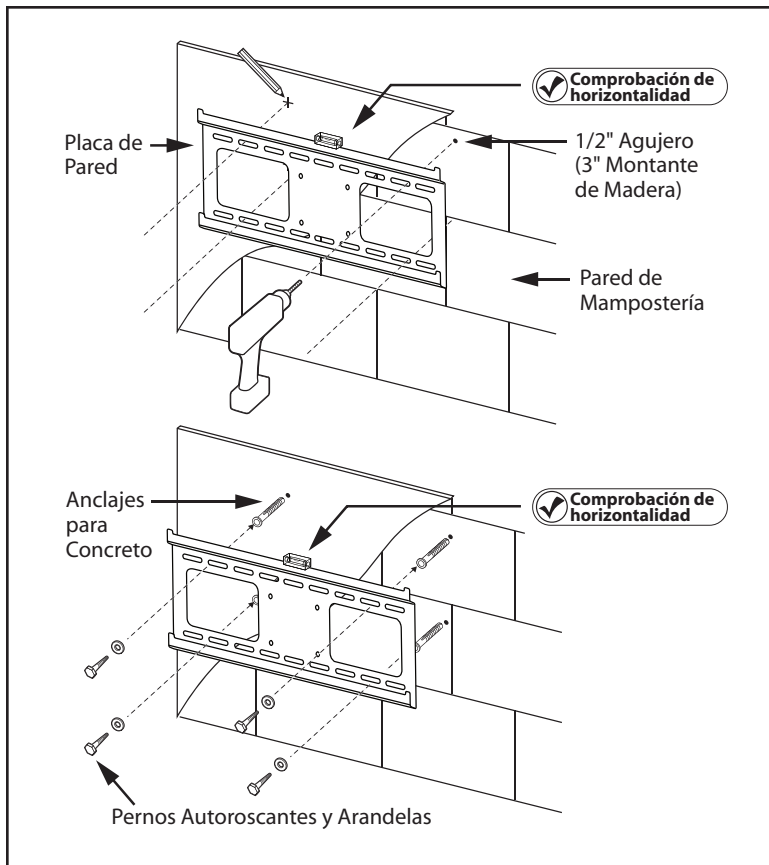
Aunque se incluye materiales (pernos y anclajes para concreto) para la instalación en paredes de mampostería, la instalación en ese tipo de paredes requiere de conocimientos, habilidades y herramientas especiales. Monster recomienda encarecidamente que pida ayuda a un instalador profesional si va instalar la base en una pared de mampostería.

 **EVITE TALADRAR agujeros en las juntas de argamasa entre los ladrillos.**

-  **Comprobación de horizontalidad** Coloque la placa de pared sobre el lugar deseado. Pida ayuda a un amigo. Utilice el nivel de burbuja suministrado para colocar la placa de pared en posición horizontal. Marque los centros de las cuatro ranuras para los pernos, como se muestra a la derecha. Esté atento a evitar marcar agujeros en las juntas de argamasa.
- Utilice un taladro eléctrico y una broca para mampostería de 1/2" (13 mm) para perforar agujeros auxiliares de 3 pulgadas (75 mm) de profundidad en todas las marcas.
- Introduzca en todos los agujeros los anclajes plásticos para concreto suministrados. Martille suavemente los anclajes hasta que asienten completamente.
- Fije la placa de pared a la pared mediante los pernos autoroscantes y las arandelas circulares, como se muestra a la derecha. Compruebe que el centro plano de la placa de pared esté orientado hacia la pared.

 **EVITE APRETAR los pernos en exceso. Podría dañar la placa de pared o la superficie de la pared.**

 **MANTENGA SUJETA la placa de pared hasta que esté totalmente seguro de que esté firmemente adosada a la pared.**



Cómo fijar las barras de inclinación y ajuste vertical al televisor

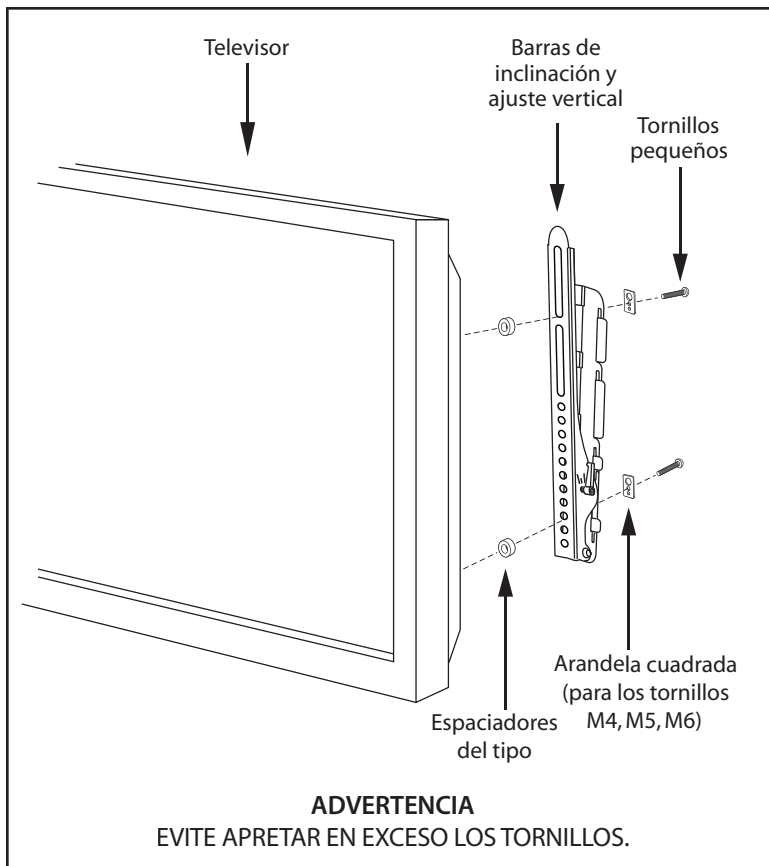
- ⚠ **EVITE COLOCAR su televisor con la pantalla hacia abajo al fijarle las barras de inclinación y ajuste vertical. Eso puede causar daños permanentes a su televisor. Inclínelo contra la pared u otra superficie sólida de modo que permanezca en posición vertical.**
- ⚠ **Su televisor debe estar desconectado de la alimentación de electricidad al atornillar cualquier perno o tornillo a su panel trasero.**

Su sistema de base incluye nueve juegos de tornillos de distintos diámetros y longitudes. Antes de fijar las barras de ajuste a su televisor, determine cuál de los juegos es el adecuado para su televisor.

Los televisores con respaldos planos utilizan tornillos más cortos y no utilizan espaciadores. Los televisores con respaldos curvos o insertos empotrados podrían requerir el uso de tornillos más largos y espaciadores entre el televisor y las barras de ajuste. Los tornillos de menor tamaño, M4, M5 y M6, requieren el uso de arandelas cuadradas (suministradas) entre las barras de ajuste y los tornillos.

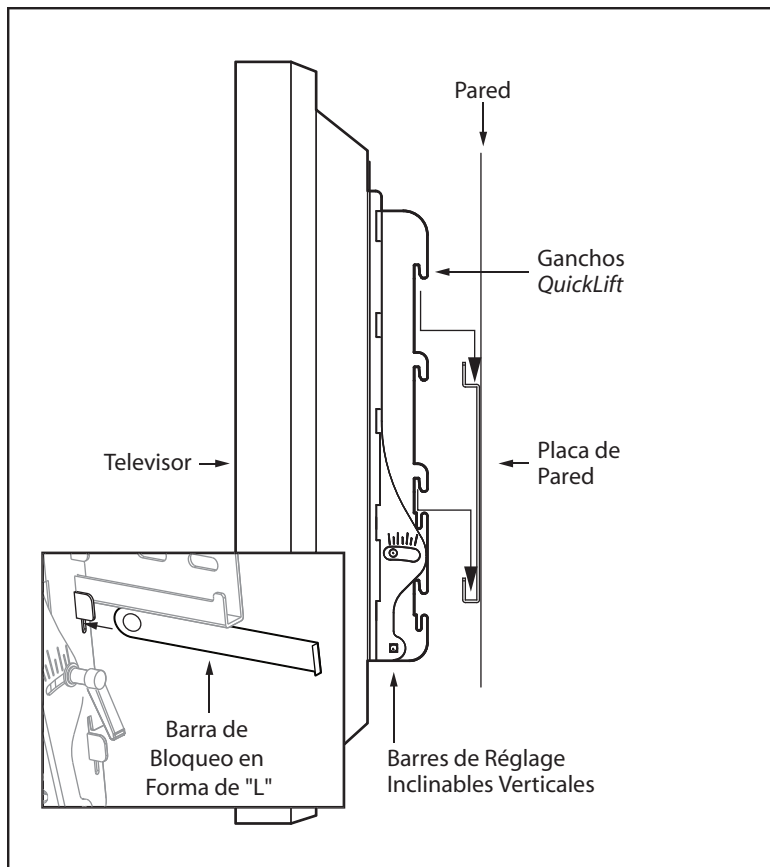
- 1) Encuentre los insertos roscados en el panel trasero de su televisor. Fije un tornillo del juego a uno de los insertos para comprobar que sea la elección correcta.
- 2) Enrosque los tornillos a los insertos del televisor a través de las barras de ajuste y utilice los espaciadores y arandelas correspondientes, de ser necesario. Asegúrese de instalar las barras de ajuste de modo que las asas *Pull 'n' Twist™* (de halar y girar) queden orientadas hacia el borde exterior del televisor.
- 3) Utilice un destornillador de cruz para apretar los tornillos de modo que las barras de ajuste queden sujetas firmemente al televisor.

- ⚠ **EVITE APRETAR los tornillos en exceso. Apriete suavemente los tornillos a mano antes de apretarlos. Si detecta resistencia, extraiga el tornillo de inmediato.**



Cómo fijar el televisor y las barras de inclinación y ajuste vertical a la placa de pared

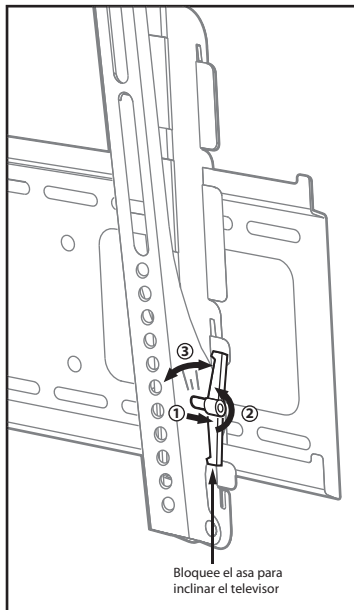
- ⚠ Compruebe que los mecanismos de inclinación estén inmovilizados antes de instalar el televisor. Consulte la página 16 para más instrucciones.**
 - ⚠ Monster recomienda encarecidamente que los pasos siguientes serán efectuados por al menos dos personas.**
 - ⚠ MANTENGA SUJETO el televisor hasta que esté totalmente seguro de que se encuentre firmemente adosado a la placa de pared.**
- 1) Conecte al televisor el cable de alimentación eléctrica y todos los cables de AV antes de fijarlo a la pared. Levante el televisor con ayuda de un amigo y enchufe el cable de alimentación eléctrica del televisor a un tomacorriente de CA cercano. Si los cables de AV pasan por el interior de la pared, haga que sus extremos sobresalgan por las ranuras de la apertura correspondiente en la pared.
 - 2) Encuentre los dos juegos de ganchos *QuickLift™* que se encuentran en la parte trasera de las barras de inclinación y ajuste vertical que están ahora sujetas al televisor.
 - 3) Fije la pareja superior o la inferior de los ganchos *QuickLift* a los canales horizontales superior e inferior de la placa de pared. (Vea el diagrama en la página opuesta).
 - 4) La posición más alta del televisor requiere de 3 pulgadas adicionales en la longitud de los cables de audio y video y en el cable de alimentación eléctrica.
 - 5) Asegure el televisor con la barra de bloqueo en forma de "L". Deslícela horizontalmente a través de la ranura debajo de uno de los dos ganchos inferiores.
 - 6) Las barras de bloqueo se deben utilizar siempre para reducir el riesgo de daños en caso de sismos. Se puede colocar un candado para dificultar los hurtos.



Cómo ajustar la inclinación y la altura de su televisor

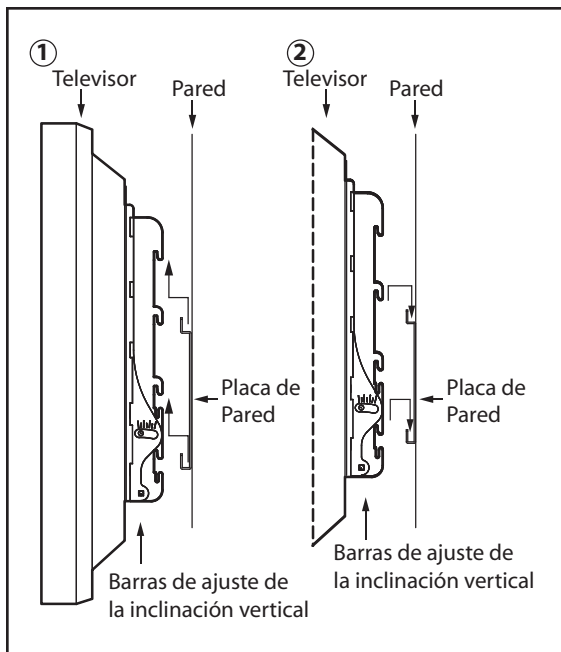
Cómo inclinar el televisor:

- 1) Con una persona a cada lado del televisor, gire las asas *Pull 'n' Twist™* hacia abajo tanto como pueda. Dicho procedimiento afloja las barras de ajuste de la inclinación y permite ajustar la inclinación.
- 2) Para aflojar aún más las barras de ajuste y facilitar el ajuste de la inclinación, hale hacia afuera la porción redonda del asa. El procedimiento anterior activa el mecanismo de trinquete.
- 3) Con el mecanismo de trinquete activo, lleve el asa hacia arriba hasta su posición más alta.
- 4) Libere el asa para desactivar el mecanismo de trinquete. Una vez que el asa haya encajado en su lugar podrá ser llevada de nuevo a una posición más baja. Repita el paso 1.
- 5) Para impedir la aplicación de fuerzas sobre el televisor, asegúrese de que ambas barras estén inclinadas al mismo ángulo.
- 6) Para inmovilizar las barras al ángulo deseado, efectúe los pasos indicados anteriormente en orden inverso. Lleve las asas hacia arriba y utilice el mecanismo de trinquete hasta que las barras estén firmes.



Cómo subir y bajar el televisor:

- 1) Levante el televisor junto con un ayudante y desacople los ganchos *QuickLift™* de la placa de pared.
- 2) Vuelva a acoplar la pareja superior o inferior de ganchos *QuickLift* a los canales horizontales superior e inferior de la placa de pared.



Felicitaciones

Ha instalado correctamente su base SmartView 300M FlatScreen para televisores planos.

Visite www.MonsterCable.com/FlatScreen para conocer otros innovadores productos Monster FlatScreen, incluyendo nuestro cable FlatScreen de perfil ultra-bajo y nuestra solución limpiadora FlatScreen Clean LCD para preservar la pantalla de su televisor plano.

GARANTÍA LIMITADA “LIVE FOREVER” PARA LOS CONSUMIDORES

Monster, LLC, 7251 West Lake Mead Blvd., Las Vegas, NV 89128, (“Monster”) le extiende a Usted esta Garantía Limitada. Los estatutos, el derecho consuetudinario u otra legislación podrían otorgarle otros derechos o compensaciones, los cuales no se verán afectados en virtud de esta Garantía Limitada.

DEFINICIONES

“Uso Adecuado” significa el uso del Producto (i) dentro de una casa o habitación, (ii) para fines privados (distintos de usos comerciales), (iii) en conformidad con todas las leyes locales, estatales o nacionales correspondientes (incluyendo, sin limitación, las normas de instalaciones eléctricas y las de construcción), (iv) de acuerdo con las recomendaciones del fabricante y/o las instrucciones en los materiales y la documentación que acompañan al Producto, (v) con conexión a tierra adecuada.

“Distribuidor Autorizado” significa cualquier distribuidor, revendedor o minorista que (i) estaba autorizado debidamente a operar en la jurisdicción donde le vendió el Producto a Usted, (ii) estaba autorizado a venderle el Producto según las leyes de la jurisdicción donde Usted compró el Producto, y (iii) le vendió el Producto en condiciones de nuevo y en su embalaje original.

“Reclamación Formal por la Garantía” significa una reclamación realizada de acuerdo a la sección “Reclamaciones Formales por la Garantía” en este documento.

El significado de **“Producto”** es un producto (i) que incluya una referencia a la garantía limitada “Live Forever”, (ii) que Usted haya adquirido en condiciones de nuevo y en su embalaje original de un Distribuidor Autorizado, y (iii) cuyo número de serial, si existía en el producto en condición de nuevo, no haya sido eliminado, modificado o hecho ilegible.

El significado de **“Defecto en el Producto”** significa una deficiencia del Producto que haya existido en el momento en que Usted recibió el Producto de un Distribuidor Autorizado y que produzca una falla del Producto en cuanto al comportamiento indicado por la documentación de Monster que acompaña al Producto, a menos que dicha falla haya sido causada total o parcialmente por (a) usos distintos al Uso Adecuado, (b) transporte, negligencia, mal uso o abuso por personas distintas a los empleados de Monster; (c) alteraciones, manipulaciones o modificaciones del Producto por personas distintas a los empleados de Monster; (d) accidentes (distintos a fallas que pudiera considerarse Defectos del Producto); (e) labores de mantenimiento o de servicio en el Producto hechas por personas distintas a los empleados de Monster; (f) contacto del Producto con el calor, luces brillantes, la luz del sol, líquidos, arena u otros contaminantes; o (g) actos fuera del control de Monster incluyendo, con carácter enunciativo pero no limitativo, los actos de Dios, incendios, tormentas, terremotos o inundaciones.

“Usted” significa la primera persona física que haya adquirido el Producto en su embalaje original a un Distribuidor Autorizado. Esta Garantía Limitada no se aplica a personas o entidades que hubieren comprado el producto (i) usado sin embalaje, (ii) para la reventa, alquiler u otro uso comercial, o (iii) de alguien diferente a un Distribuidor Autorizado.

ALCANCE DE ESTA GARANTÍA LIMITADA

Si un Producto incluía un Defecto del Producto cuando Usted lo adquirió de un Distribuidor Autorizado y Monster recibe un Reclamo Formal de Garantía de Usted dentro de los dos (2) meses siguientes a que Usted haya descubierto tal Defecto del Producto (o debió haberlo descubierto si tal Defecto del Producto era evidente), entonces Monster reemplazará el producto por uno igual o comparable: Esta Garantía Limitada tiene validez durante toda la vida del Producto mientras sea de su propiedad, pero cesa una vez que Usted haya transferido la propiedad del Producto.

NOTA: MONSTER NO ACEPTA RESPONSABILIDAD ALGUNA POR NINGÚN DAÑO INCIDENTAL, DERIVADO O INDIRECTO SEGÚN LOS TÉRMINOS DE ESTA GARANTÍA LIMITADA.

CONDICIONES GENERALES

Derecho y jurisdicción. Esta garantía limitada y cualquier litigio que surgiese en virtud de o en conexión con esta Garantía Limitada ("Litigios") se regirá por las leyes del estado de California, EE. UU., excluyendo conflictos de principios jurídicos o legales y excluyendo la Convención para la Venta Internacional de Bienes. Los tribunales situados en el Estado de California, EE. UU. tendrán jurisdicción exclusiva sobre cualquier litigio.

Otros derechos. ESTA GARANTÍA LE DA DERECHOS LEGALES ESPECÍFICOS Y USTED PODRÍA TENER TAMBIÉN OTROS DERECHOS QUE VARIAN DE UN ESTADO A OTRO Y DE UNA JURISDICCIÓN A OTRA, INCLUYENDO, CON CARÁCTER ENUNCIATIVO PERO NO LIMITATIVO, AQUELLOS DERECHOS CONTEMPLADOS POR LAS LEYES NACIONALES QUE RIGEN LA DIRECTIVA 44/99/EC DE LA UE, LOS CUALES NO SE VERÁN AFECTADOS POR ESTA GARANTÍA LIMITADA. ESTA GARANTÍA SE EXTIENDE SÓLO A USTED Y NO PUEDE SER TRANSFERIDA. Si cualquier disposición de esta Garantía Limitada está fuera de la ley, es nula o no puede ser exigida legalmente, se considerará que dicha disposición es susceptible de eliminación y no afectará las disposiciones restantes de la Garantía Limitada. En caso de cualquier discrepancia entre la versión en inglés y otras versiones de esta Garantía Limitada, se considerará válida la versión en inglés.

Registro. Haga el registro de su producto en MonsterPower.com. Los derechos establecidos por la garantía no se ven afectados si no se hace el registro del producto.

RECLAMACIÓN FORMAL POR LA GARANTÍA

Cómo hacer una reclamación. Usted debe seguir estas instrucciones en caso de que se hayan producido daños al Producto: (1) Llame a Monster al teléfono **001-877-800-8989** dentro de los dos (2) meses siguientes al momento que usted descubra el Defecto del Producto (o debió haberlo descubierto si tal Defecto del Producto era evidente); (2) Suministre una explicación en detalle de cómo ocurrió el daño; (3) Obtenga un Número de Autorización de Devolución; (4) Rellene completamente el formulario de reclamación (que podría enviarse a usted después de que haya enviado su Reclamación Formal por la Garantía); (5) Devuelva los Productos, habiendo Usted pre-pagado el transporte (que le será reembolsado si usted tiene derecho a una compensación según los términos de esta Garantía Limitada), para la comprobación de los daños, junto con una copia de su recibo original de venta y prueba de compra (la etiqueta UPC o la nota de despacho) de dichos Productos, el formulario de reclamación totalmente lleno y el número de la autorización de devolución impreso en el exterior del embalaje de devolución (el formulario de reclamación incluirá instrucciones para la devolución).

Crónograma. Si usted envía una Reclamación Formal por la Garantía y cumple totalmente todos los términos y condiciones de esta Garantía Limitada, Monster hará su máximo esfuerzo para Reemplazar el Producto dentro de los treinta (30) días siguientes a la recepción de su Reclamación Formal por la Garantía (si usted es residente de los Estados Unidos – cuarenta y cinco (45) días si usted es residente de cualquier otro país), a menos que el proceso se retrase por factores fuera del control de Monster.

Ver.050604 – Garantía "Live Forever"
©2004-2007 Monster, LLC



© 2007 Monster, LLC
7251 West Lake Mead, Blvd., Las Vegas, NV 89128
1-877-800-8989

Monster Cable International Limited
Ballymaley Business Park Gort Road
Ennis, Co. Clare, Ireland
001-866-348-4171

Engineered in the USA and manufactured for Monster to its quality specifications.
Made in China.

Créé aux États-Unis et fabriqué pour Monster selon ses spécifications de qualité.
Fabriqué en Chine.

Diseñado en los Estados Unidos y fabricado para Monster de acuerdo
a sus especificaciones de calidad.
Hecho en China.

"Monster FlatScreen Mounts," "PerfectView," "Monster," "Monster FlatScreen,"
"Monster FlatScreen Cables," "Monster Power," "Monster FlatScreen Clean,"
"PowerCenter," "Z-Fold," "FlexTilt," "SurgeGuard," the Monster logo and
"Monster PowerProtect Cable" are registered or unregistered trademarks of
Monster Cable Products, Inc. or its subsidiaries in the US and other countries.
VESA is a trademark of the Video Electronics Standards Association.

« Monster FlatScreen Mounts », « PerfectView », « Monster », « Monster FlatScreen »,
« Monster FlatScreen Cables », « Monster Power », « Monster FlatScreen Clean »,
« PowerCenter », « Z-Fold », « FlexTilt », « SurgeGuard », le logo Monster logo et « Monster
Cable » sont des marques déposées et non déposées de Monster Cable Products, Inc.
ou de ses filiales aux États-Unis et dans d'autres pays. VESA est une marque commerciale
de la Video Electronics Standards Association.

"Monster FlatScreen Mounts," "PerfectView," "Monster," "Monster FlatScreen",
"Monster FlatScreen Cables," "Monster Power," "Monster FlatScreen Clean," "PowerCenter",
"Z-Fold," "FlexTilt," "SurgeGuard", el logotipo de Monster y "Monster PowerProtect Cable"
son marcas comerciales registradas o marcas comerciales de Monster Cable Products, Inc.
o de sus subsidiarias en Estados Unidos y en otros países.
VESA es una marca registrada de la Video Electronics Standards Association.